



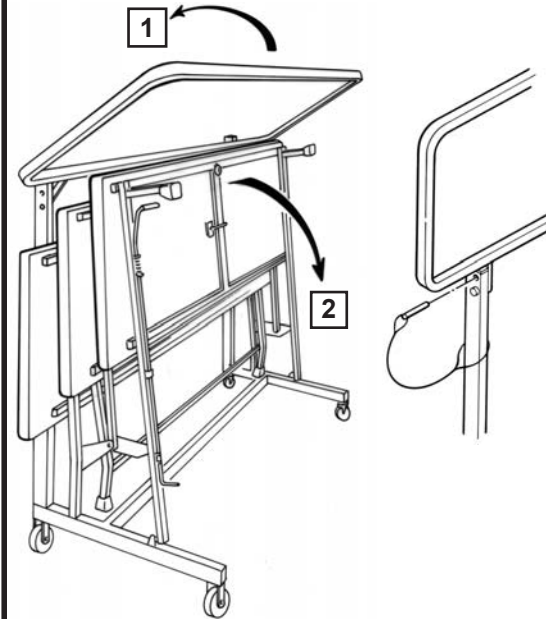
SICO AMERICA INC.
7525 Cahill Road
Minneapolis, MN 55439, USA
Customer Service: 1-800-424-0796
Website: www.sicoinc.com

SICO Choral Riser

Operating Instructions and Parts List

TO UNFOLD

1. Lift guardrail upright, and secure with pins on each end as shown. **Do not use unit without guardrail securely in place!**
2. Pull steps down toward you until frame lock snaps into place.



⚠ WARNING

Step boards must be locked to frames.
Unit-to-unit lock must be used to hold sections together.
Improper set-up may cause a tripping hazard which could result in serious injury.

TO CONNECT UNITS TOGETHER

Units can be set-up in a curved line, or combination of both (3-step and 4-step units cannot be combined).



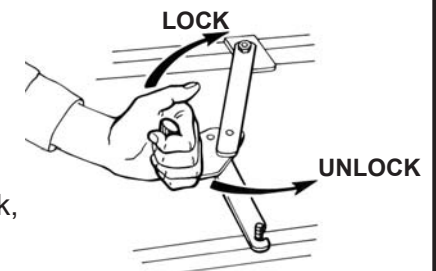
1. Move first unit to desired location, and unfold.
2. For straight-line arrangement, steps on alternate units in line must be rotated 180° (turned end-for-end) and be tapered from shortest at top to longest at the bottom (as shown above).
To rotate and move steps, pull lock ring (under front center of each step) and hold it down. Slide step about 2" (50 mm) in direction of OFF arrow, and lift. Turn step end-for-end, and move to new position. Set step off-center on frame, and slide in direction of ON arrow until lock snaps into place.



3. Move additional units into place, unfold, reverse steps if necessary, and align.
4. **For safety**, always lock units together. Pull red handle (under right end of second step from the top). Connect hook on outer end of locking bar to the peg on adjoining unit, then rotate red handle to the left until it locks.

There must be no gaps between deckboards.

NOTE: To release unit-to-unit lock, push red handle to right.




Please have the serial number of the product when contacting customer service.

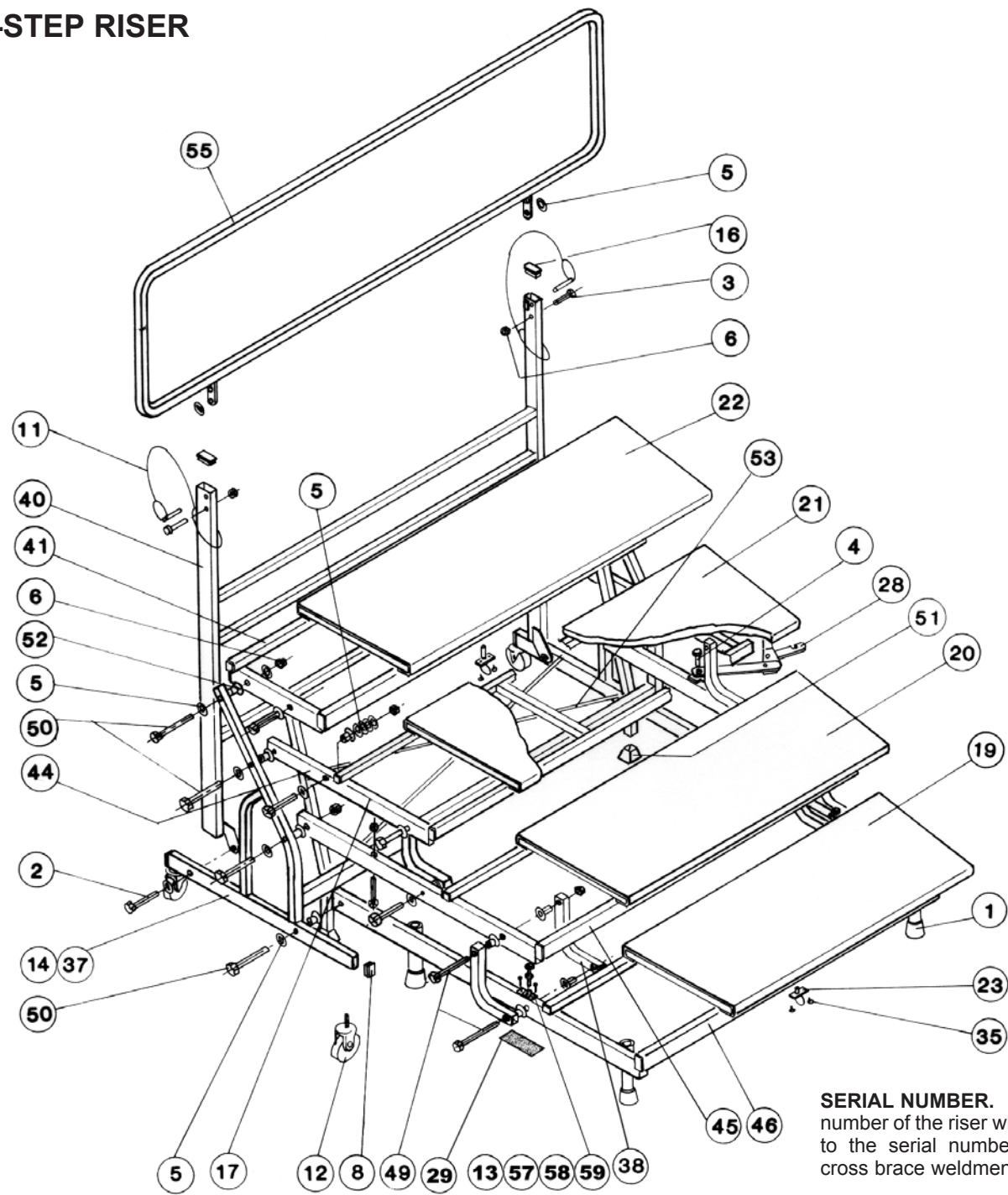
To receive assistance for:

- Selecting replacement parts / decals
- Repairing the product
- Adjusting and operating the product
- Obtaining On-line assistance

TELEPHONE: 1-800-424-0796
FAX: (952) 829-5141
WEB SITE: WWW.SICOINC.COM

 **SICO AMERICA INC.**
7525 Cahill Road
Minneapolis, MN 55439 USA

4-STEP RISER

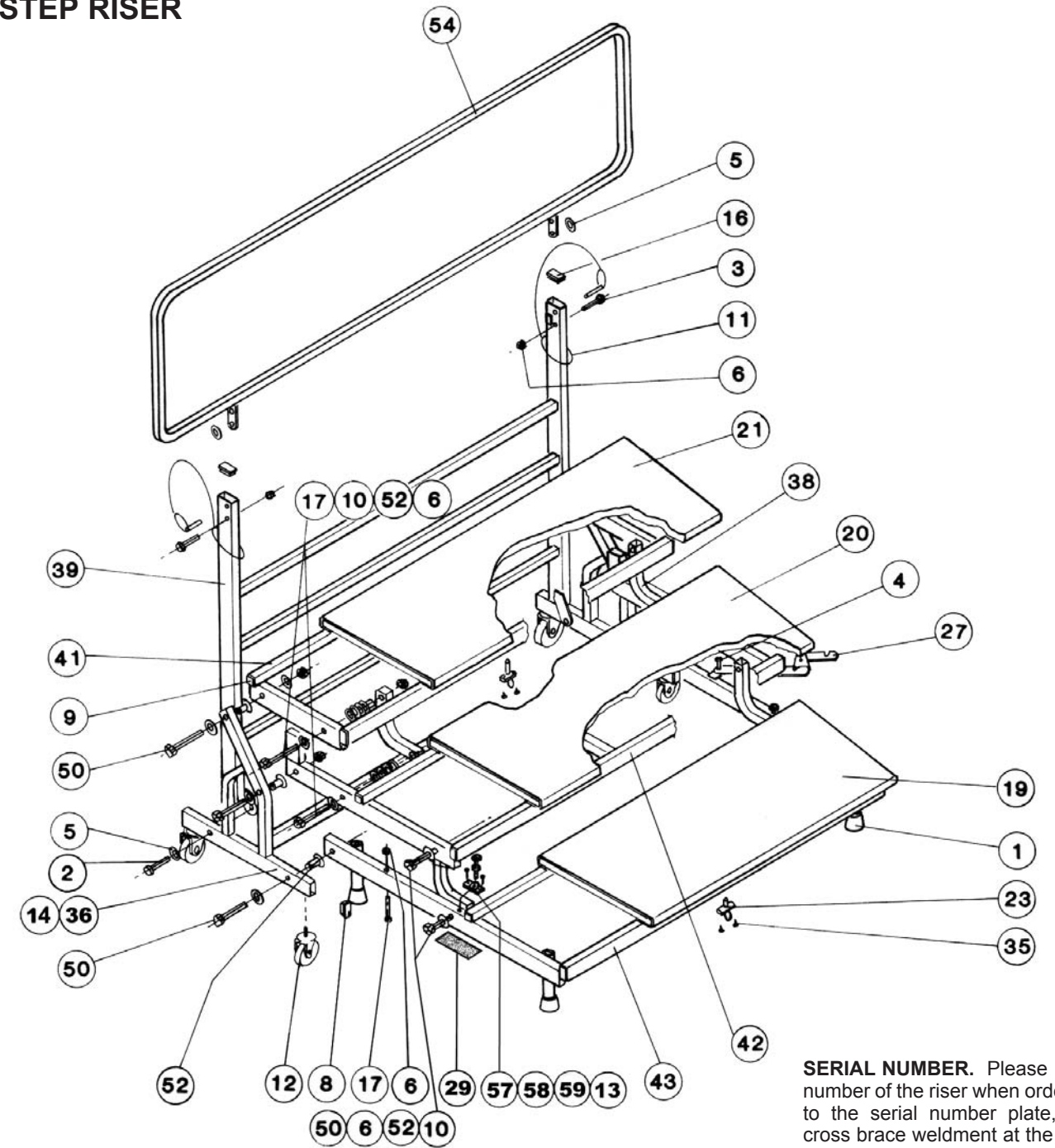


SERIAL NUMBER. Please include the serial number of the riser when ordering parts. Refer to the serial number plate, located on the cross brace weldment at the rear of the riser.

Ref. No.	Description	Quantity	
		3-step	4-step
1	Glide 1" Dia.	4	4
2	3/8-24 x 1-3/4 Cap Screw	2	2
3	3/8-24 x 2" Cap Screw	2	2
4	3/8-24 x 2-1/4" Cap Screw	1	1
5	3/8" Washer	30	34
6	3/8-24 Locknut	20	26
7	Weldnut, 1/2"	4	4
8	Tubecap, 1 x 2 x 14 ga.	4	4
9	Tubecap 1" Square	6	8
10	1-1/2 x 3/8" I.D. Washer	14	18
11	Hitch Pin Assembly	2	2
12	3" Caster	4	4
13	Machine Screw .25-20x.75	6	8

Ref. No.	Description	Quantity	
		3-step	4-step
14	Serial Number	1	1
16	Tube Cap 1x2x16 ga.	2	2
17	3/8-24 x 3-1/2 Cap Screw	5	5
19	Step Assembly	1	1
20	Step Assembly	1	1
21	Step Assembly	1	1
22	Step Assembly	-	1
23	Lock Sub-assembly	3	4
27	Unit to Unit Lock Assembly	1	-
28	Unit to Unit Lock Assembly	-	1
29	Velcro Pad	2	2
33	Roll Pin	1	1
34	Torsion Spring	1	1

3-STEP RISER



SERIAL NUMBER. Please include the serial number of the riser when ordering parts. Refer to the serial number plate, located on the cross brace weldment at the rear of the riser.

Ref. No.	Description	Quantity	
		3-step	4-step
35	#8 x 1/2" PHP Self Tapping Screw	10	12
36	Support Weldment	1	-
37	Support Weldment	-	1
38	Linkage Arm	4	6
39	Post Weldment	1	-
40	Post Weldment	-	1
41	Step Frame Weldment	1	1
42	Step Frame Weldment	1	-
43	Step Frame Weldment	1	-
44	Step Frame Weldment	-	1
45	Step Frame Weldment	-	1
46	Step Frame Weldment	-	1

Ref. No.	Description	Quantity	
		3-step	4-step
47	Tube Cap for 1x2 Alum.	8	10
49	3/8-24 x 4" Lg. Cap Screw	-	4
50	3/8-24 x 3" Lg. Cap Screw	11	13
51	1" Square Glide	-	2
52	Bushing	16	24
53	Leg Weldment	-	1
54	Hoop Weldment (3 Rise)	1	-
55	Hoop Weldment (4 Rise)	-	1
57	Stop Bolt	2	2
58	Jam Nut	2	2
59	Weld Stop	2	2